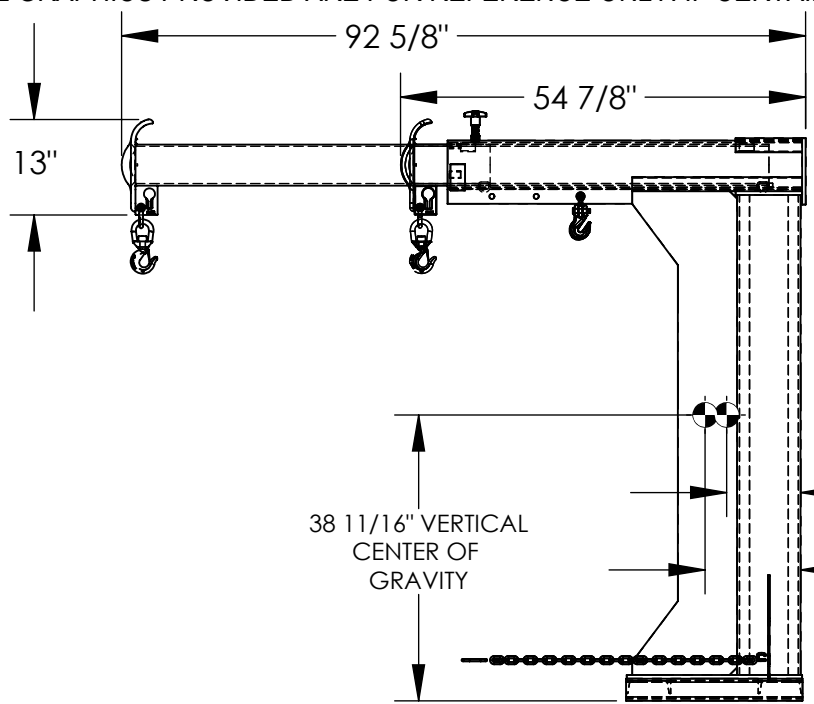


LIFT MASTER BOOM, HIGH RISE, TELESCOPING BOOM - LM-HRT-4-24

APPROX WEIGHT: 950.81 lbs.
 DOES NOT INCLUDE WEIGHT OF POWER OR PACKAGING!!!

*** ANY ADDITIONS, DELETIONS, OR OMISSIONS MUST BE CORRECTED ON THIS DRAWING AS THIS DRAWING WILL BE CONSIDERED ALL INCLUSIVE ***

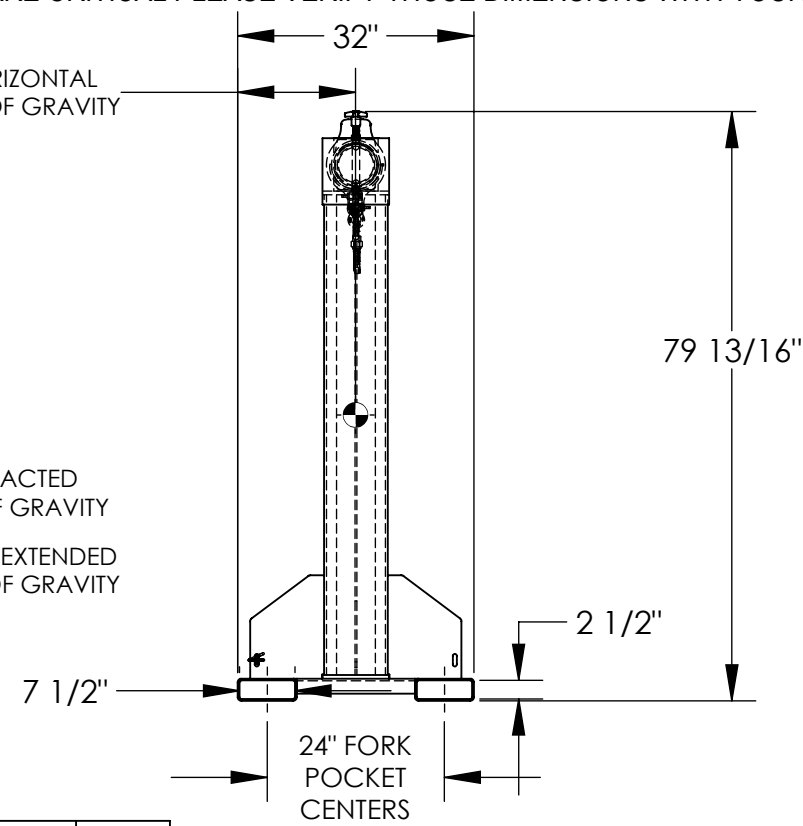
ALL GRAPHICS PROVIDED ARE FOR REFERENCE ONLY. IF CERTAIN DIMENSIONS ARE CRITICAL PLEASE VERIFY THOSE DIMENSIONS WITH YOUR SALESPERSON



16" HORIZONTAL CENTER OF GRAVITY

10" RETRACTED CENTER OF GRAVITY

12 15/16" EXTENDED CENTER OF GRAVITY



*--MAXIMUM SINGLE HOOK CAPACITIES

| DISTANCE | 30" | 36" | 42" | 48" | 54" | 60" | 66" | 72" | 78" | 84" | 90" |
|----------|------|------|------|------|------|------|------|------|------|------|------|
| CAPACITY | 4000 | 3750 | 3500 | 3250 | 3000 | 2750 | 2500 | 2250 | 2000 | 1750 | 1500 |

DIMENSION TOLERANCE ± 1/4"

STANDARD FEATURES

- MODEL NUMBER: LM-HRT-4-24
- CAPACITY: 4,000 LBS
- OVERALL HEIGHT - 79 13/16"
- LENGTH (RETRACTED) - 54 7/8"
- LENGTH (EXTENDED) - 92 5/8"
- OVERALL WIDTH - 32"
- USABLE FORK POCKET - 2 1/2" X 7 1/2"
- 24" FORK POCKET CENTERS
- 30" MINIMUM HOOK POINT
- 90" MAXIMUM HOOK POINT
- FRAME TOUGH BAKED IN POWDER COATED BLUE FINISH
- BOOM TOUGH BAKED IN POWDER COATED YELLOW FINISH

APPROX. WEIGHT / LOST LOAD = 950.81
 MINIMUM EFFECTIVE THICKNESS = <1"
 NEVER EXCEED LOAD CENTER
 RATING PER FORKTRUCK
 MANUFACTURERS GUIDELINES.
 DO NOT USE THIS FORK TRUCK
 ATTACHMENT IF LOAD WILL EXCEED
 FORK TRUCK MANUFACTURER'S
 LOAD CENTER RATING

SPECIAL FEATURES

NONE

APPROVAL

I, THE UNDERSIGNED, AGREE THAT THE PRODUCT AS REPRESENTED SATISFIES DESIGN AND DIMENSION REQUIREMENTS. I ALSO ACKNOWLEDGE MY DUTY TO CONFIRM PRODUCT AND INSTALLATION COMPLIANCE WITH ALL APPLICABLE FEDERAL, STATE AND LOCAL REGULATIONS AND STANDARDS.
UNITS REQUIRING APPROVAL DRAWINGS OR MODIFIED ARE NON-RETURNABLE
 As drawn As marked

Signed: _____ Date: _____

Printed Name: _____

LEAD TIME WILL START UPON RECEIPT OF SIGNED APPROVAL DRAWING

| | | |
|----------------------|--|-----------------------|
| DISTRIBUTOR'S NAME: | | P.O.# |
| VESTIL MANUFACTURING | | X |
| DRAWN BY: BCN | | DATE: 6/7/2016 |
| REFERENCE: X | | SCALE: 1:30 |
| QUOTED LEAD TIME: X | | QUOTE # X |
| | | SALES: X |
| | | FILE NAME: 08-007-005 |